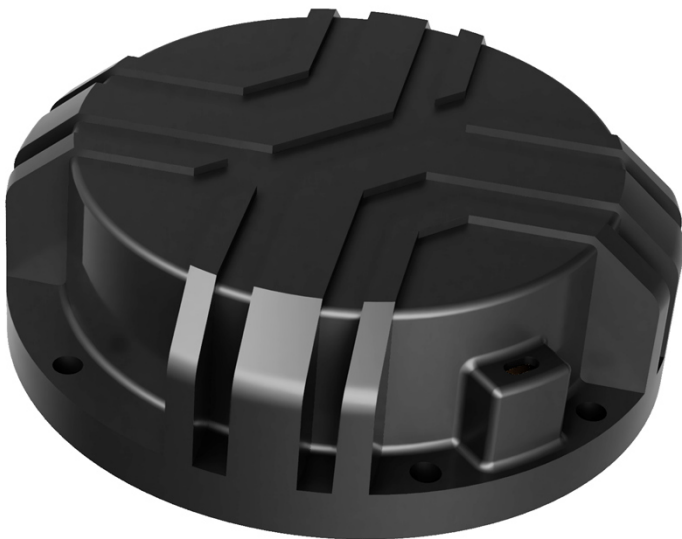




XBS SERIES

HIGH PERFORMANCE
BASS SHAKER

XBS25-4 SPECIFICATIONS



- > XTREME POWER
- > ULTRA SLIM
- > IMMERSIVE BASS
- > 100% UNSTOPPABLE
- > DESIGNED IN GERMANY

XBS25-4 SPECIFICATIONS

PERFORMANCE PROPERTIES

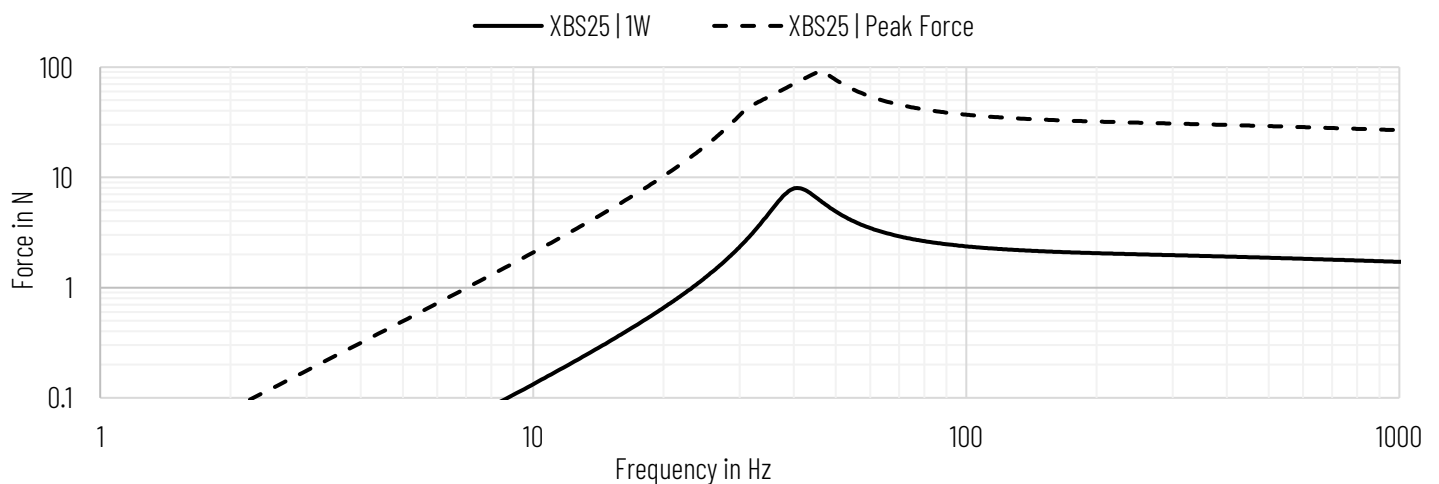
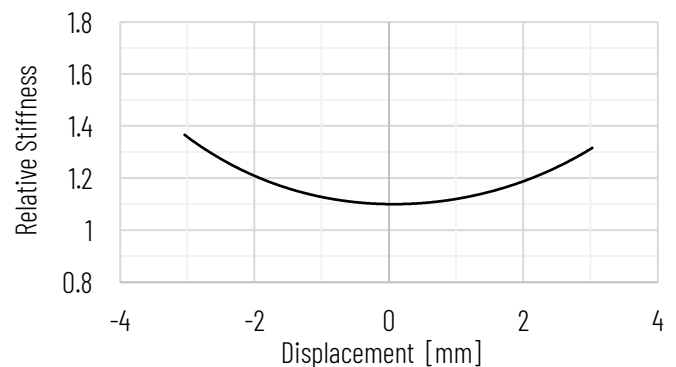
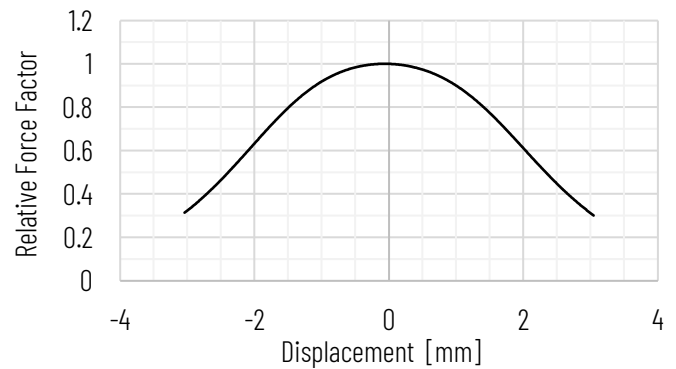
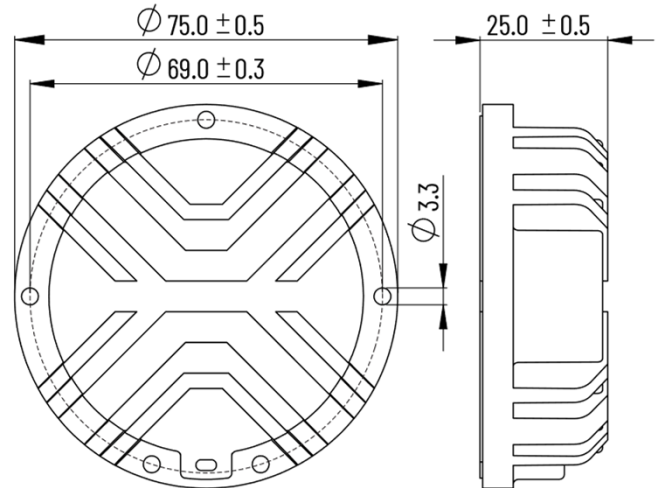
Nominal Impedance [Ohm]	4
Rms Noise Test [W] IEC 60268-5	25
Long-term Max Power [W] IEC 60268-5	125
Rated Frequency Range [Hz] -10dB Force Sensitivity	22Hz - 1kHz
Force Sensitivity [N/W] Average 10Hz - 100Hz	2.74
Peak Force (Average) [N] Average 10Hz - 100Hz	93.1 (37.7)
Mechanical Xmax [mm]	± 6.0

ELECTRICAL AND MECHANICAL PROPERTIES

DC Resistance [Ohm]	3.89
Fs [Hz]	39.8
Le [mH]	0.31
Kms [N/mm]	5.52
Bl [N/A]	3.92
Mms Motor [g]	93.1
Rms [Kg/s]	1.99
Qts / Qms / Qes	3.95 / 11.76 / 5.95

PHYSICAL PROPERTIES

Total Weight [g]	196
Outer Diameter [mm]	75
Total Height [mm]	25
Voice Coil Diameter [mm]	53.5
Voice Coil Layers	4
Mount Diameter [mm]	69
Basket Material	Aluminum
Suspension Material	Steel
IP Rating	66



Note: Peak force is estimated from long-term maximum input power and the mechanical Xmax, assuming a linear model.